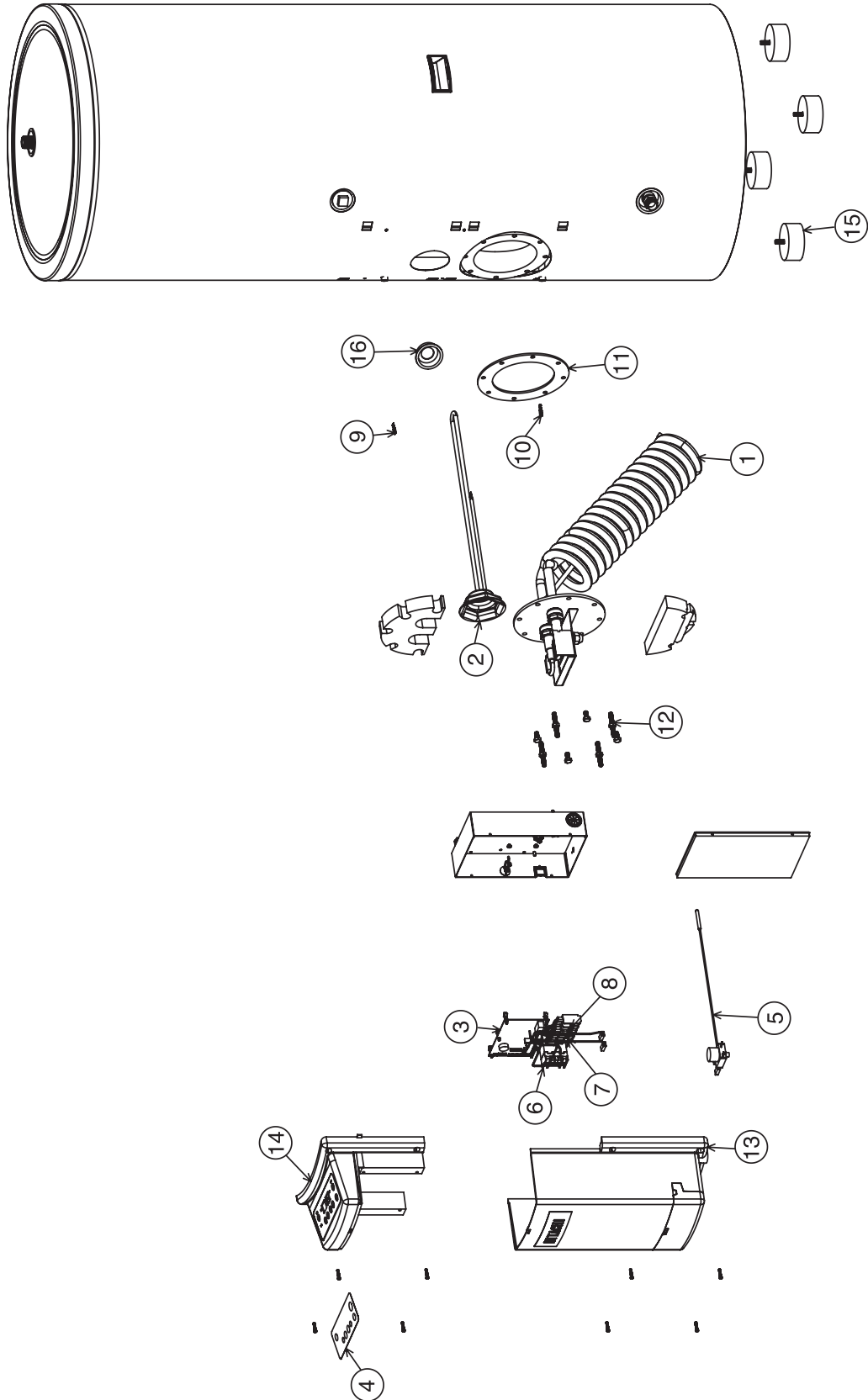


PARTS LIST AND DIAGRAM

TANK UNIT
MODEL : TAW-270NH2A



MODEL TAW-270NH2A

NO.	PART NO. TAW-270NH2A		Q'TY / UNIT	PARTS NAME
1	PMTAW-270NH2A	P10	1	HEAT EXCHANGER ASSY
2	PMTAW-270NH2A	P11	1	BACK UP HEATER
3	PMTAW-270NH2	S02	1	POWER PCB ASSY
4	PMTAW-270NH2	S01	1	CONTROL PCB ASSY
5	PMTAW-270NH2	S12	1	SAFETY THERMOSTAT
6	PMTAW-270NH2	S04	1	HEATER RELAY
7	PMRAC-18CVP2	S01	1	THERMINAL BLOCK (L, N)
8	PMRAC-51CHA1	S03	1	THERMINAL BLOCK (L, N, C, D)
9	PMTAW-270NH2	S06	1	TERMISTOR (NEAR BACKUP HEATER)
10	PMTAW-270NH2	S07	1	TERMISTOR (HEAT EXCHANGER)
11	PMTAW-270NH2A	P14	1	GASKET
12	PMTAW-270NH2A	P16	8	SCREW KIT
13	PMTAW-270NH2	S17	1	COVER ASSY
14	PMTAW-270NH2	S18	1	H-PANEL
15	PMTAW-270NH2A	P19	4	BUSH
16	PMTAW-270NH2A	P20	1	ANODE CAP